

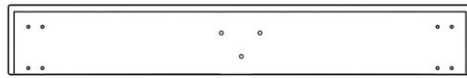
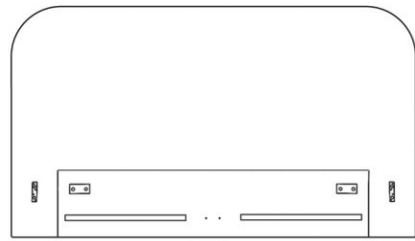
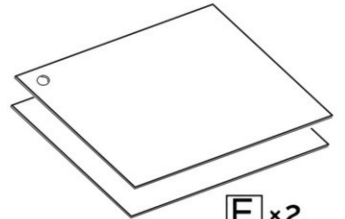
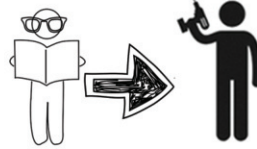
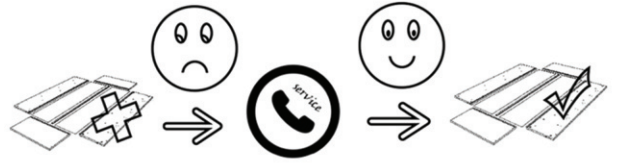
# BENDI

90min

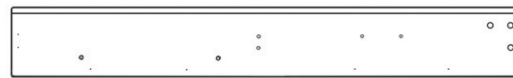


10mm / 13mm

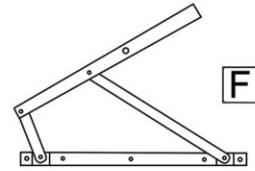
BED WITH STORAGE



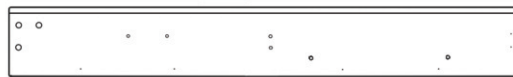
B x 1



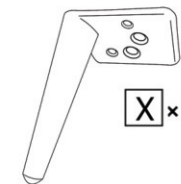
C1 x 1



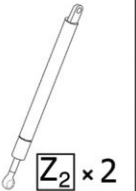
F x 2 (L/R)



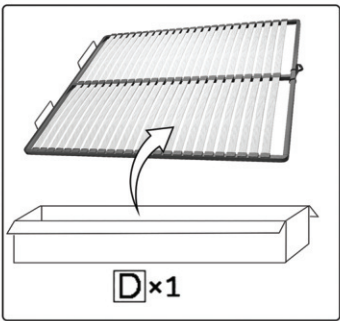
C2 x 1



X x 2



Z2 x 2



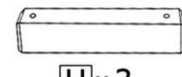
D x 1



G x 1



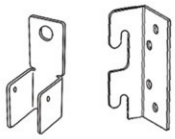
I x 1



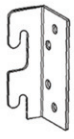
H x 3



J x 3



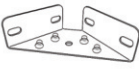
K x 1



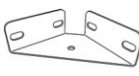
W x 2



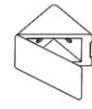
L x 2



M x 2



N x 2



O x 14

M8x20



P x 7



R x 32



S x 1

ø8x20

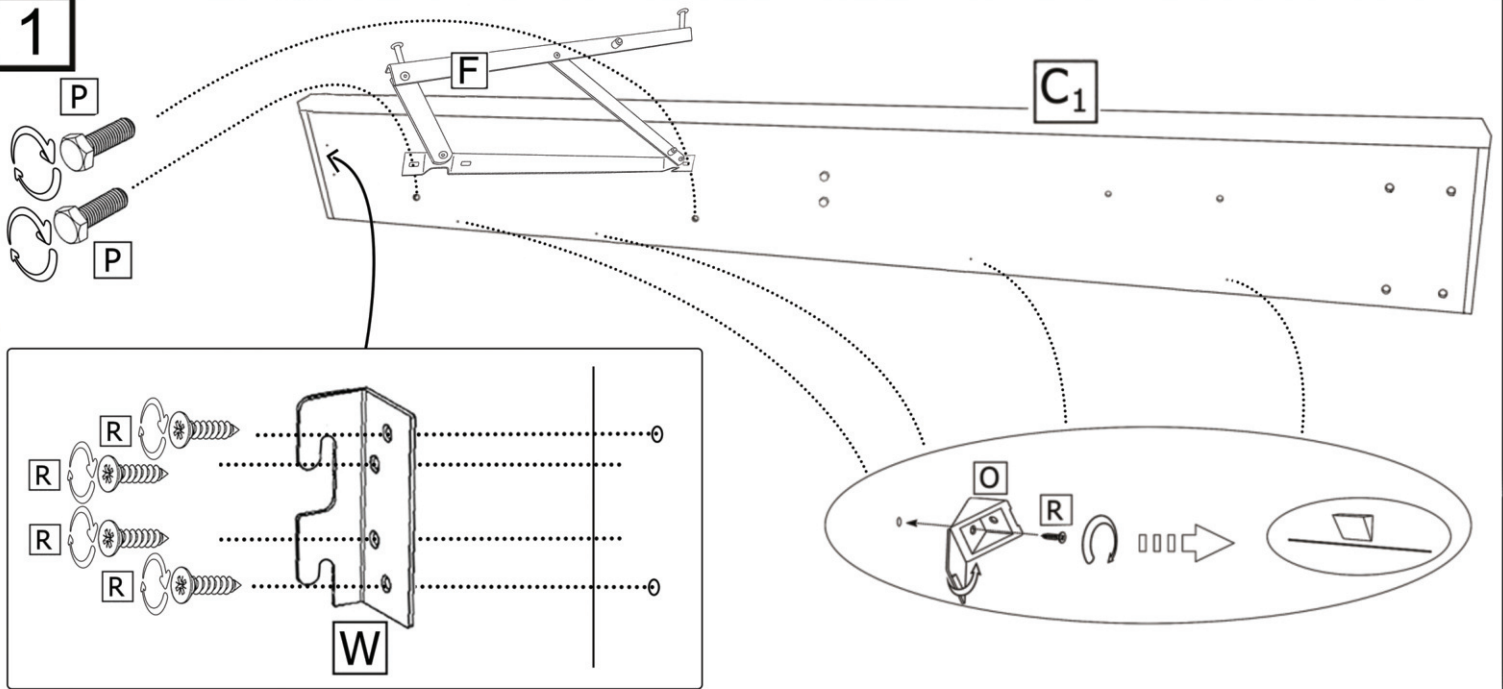


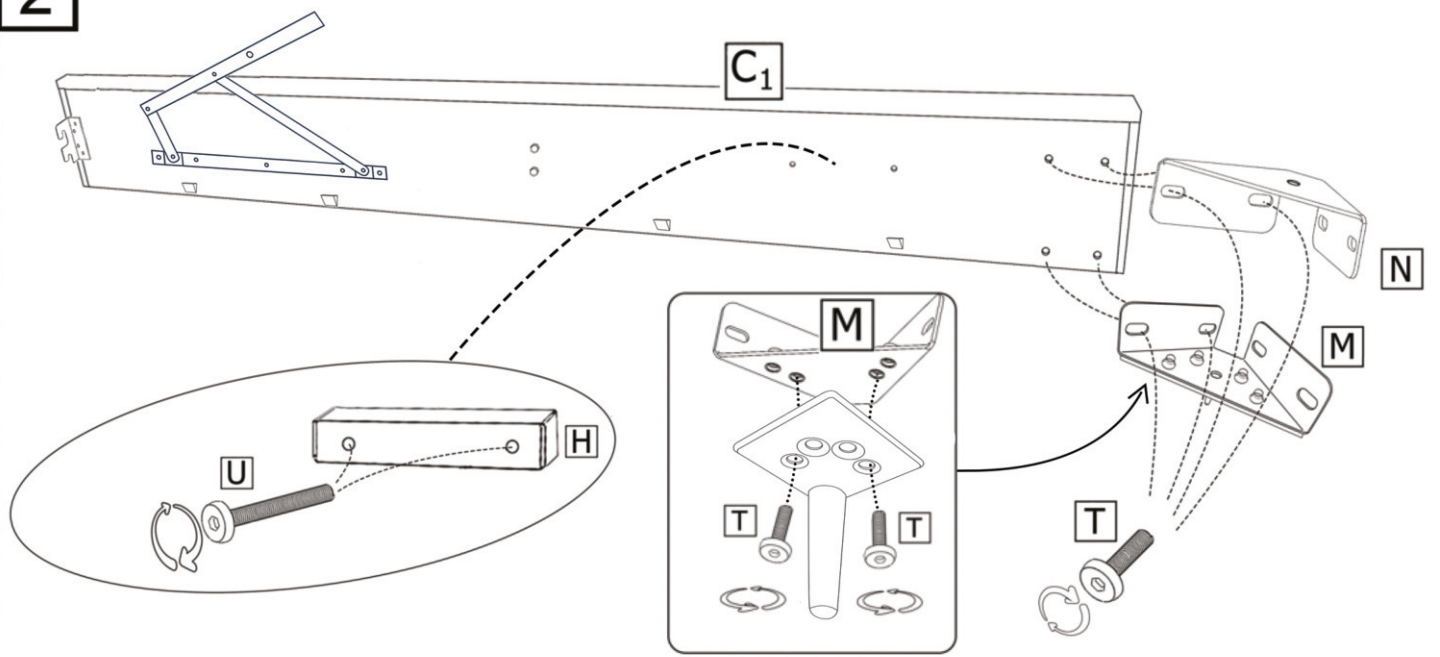
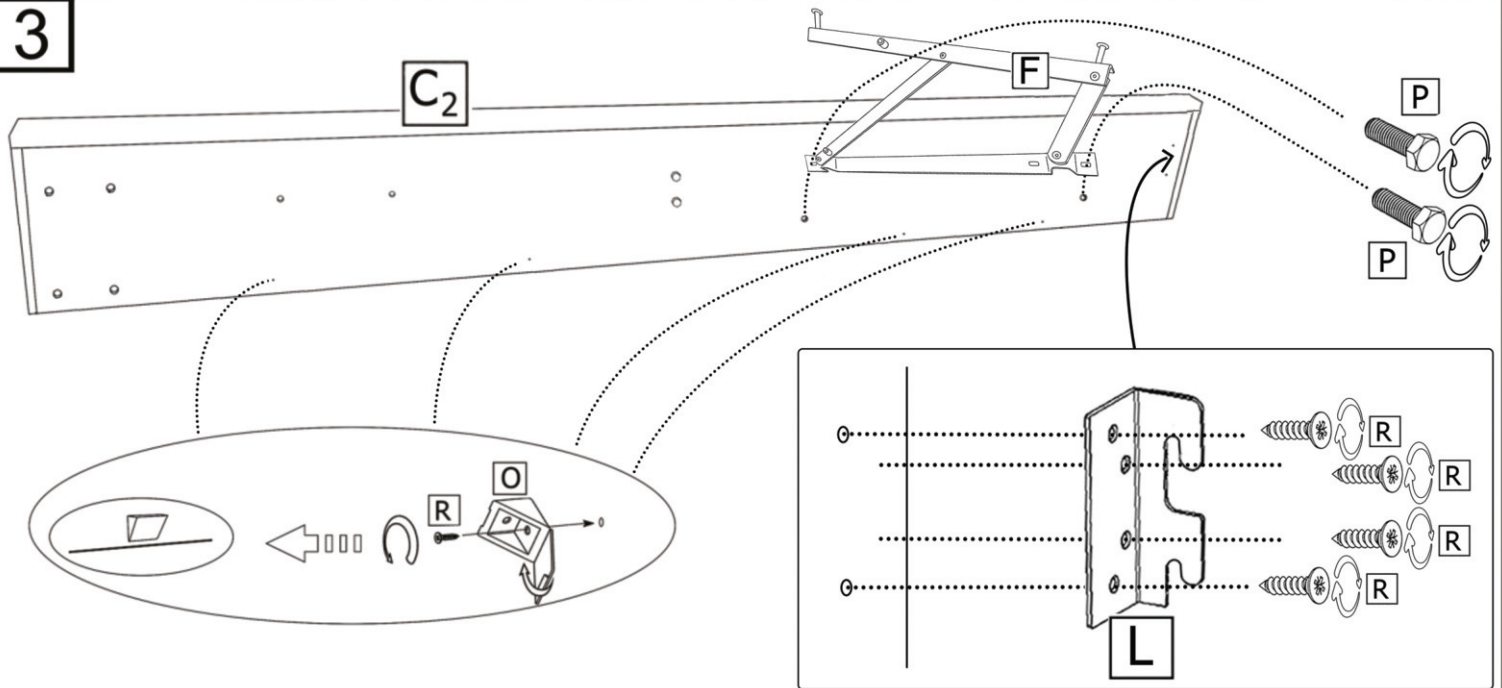
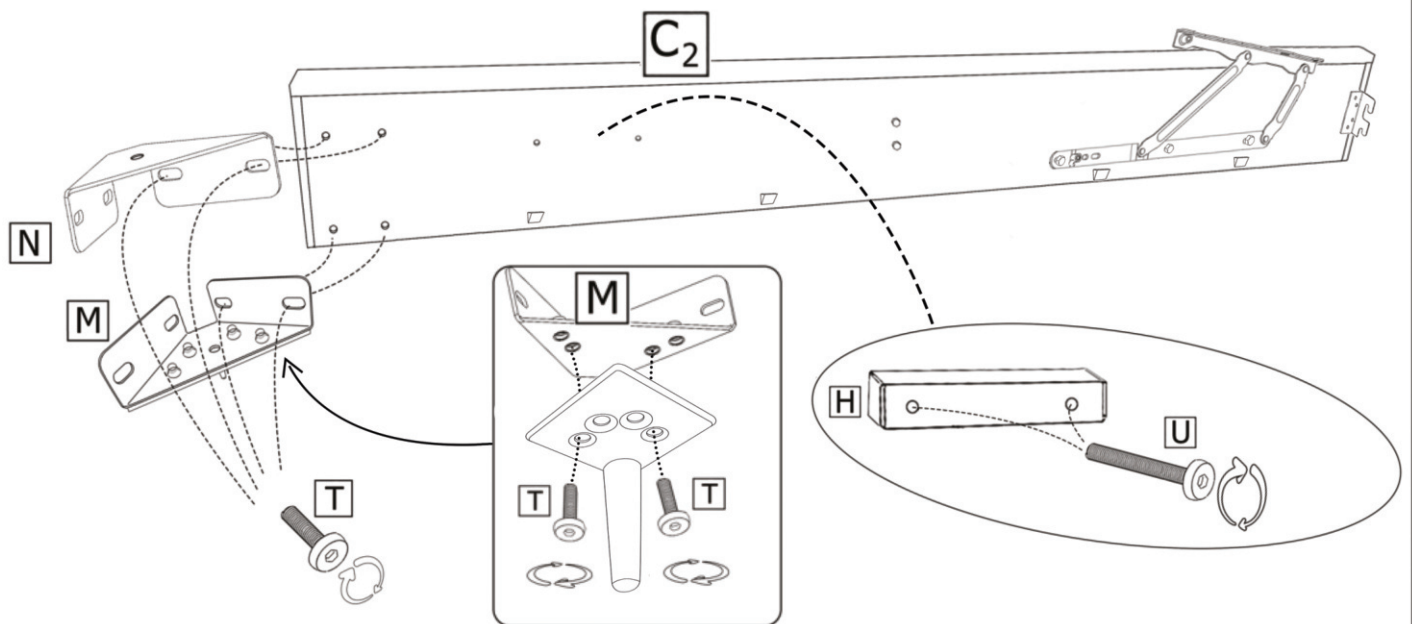
T x 20



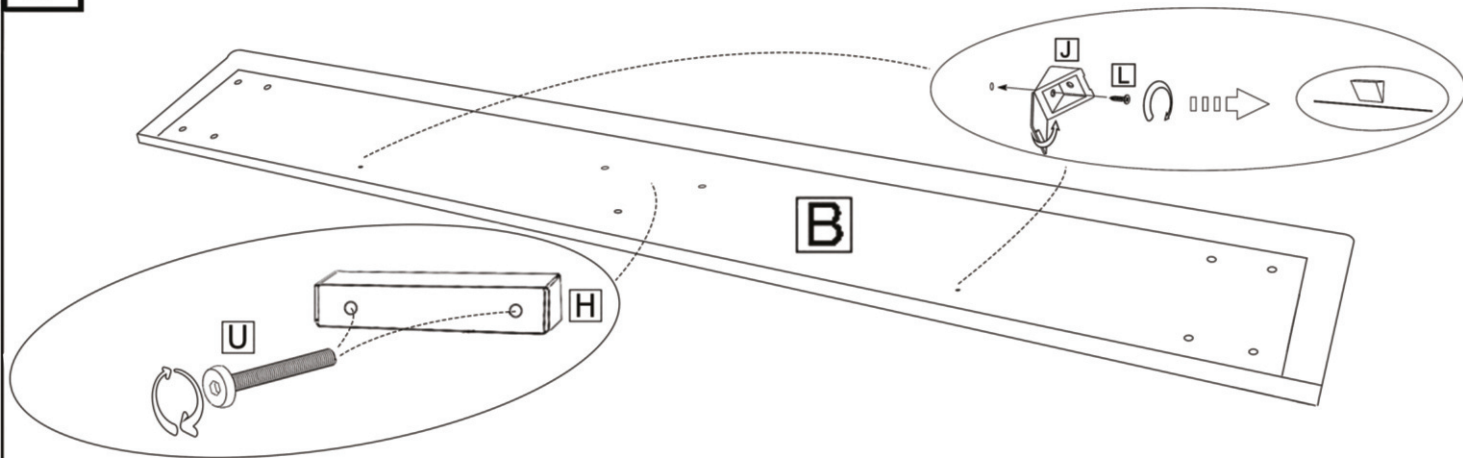
U x 6

1

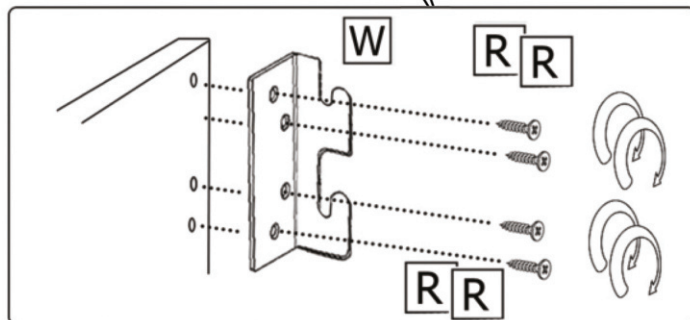
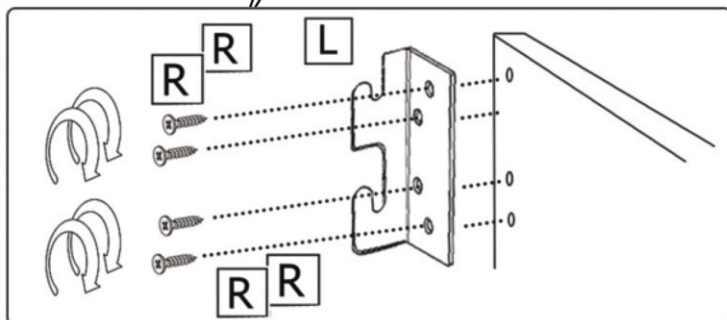
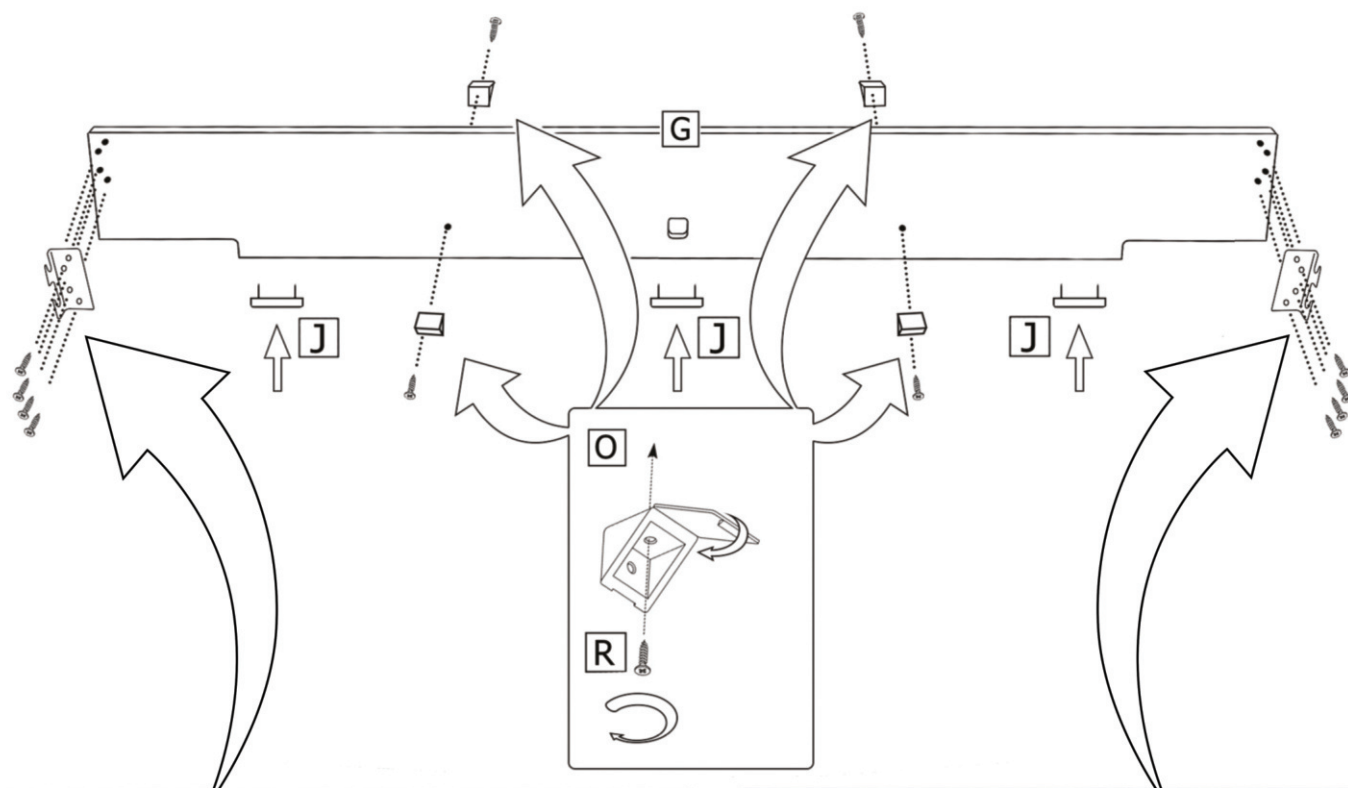


**2****3****4**

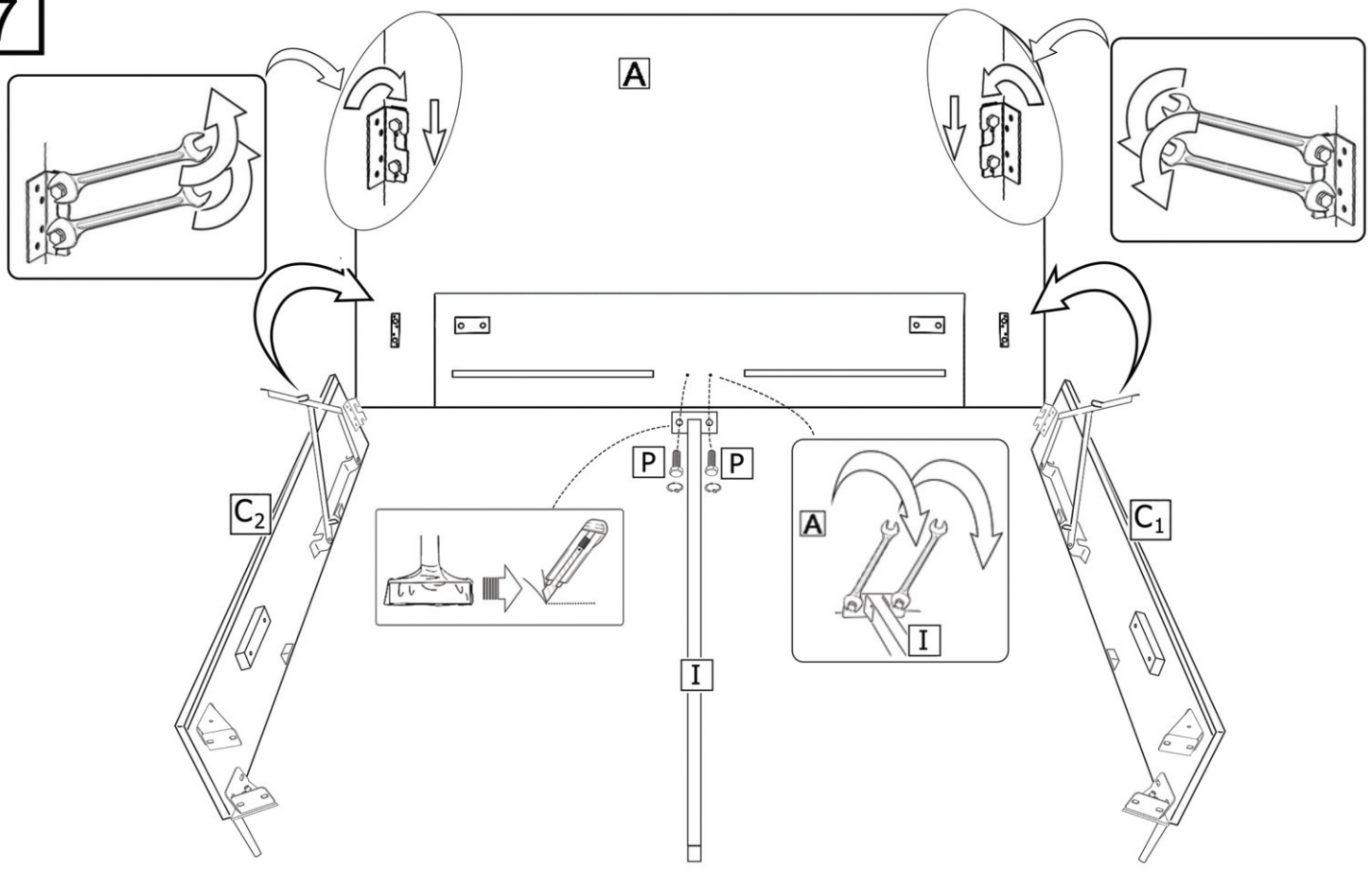
5



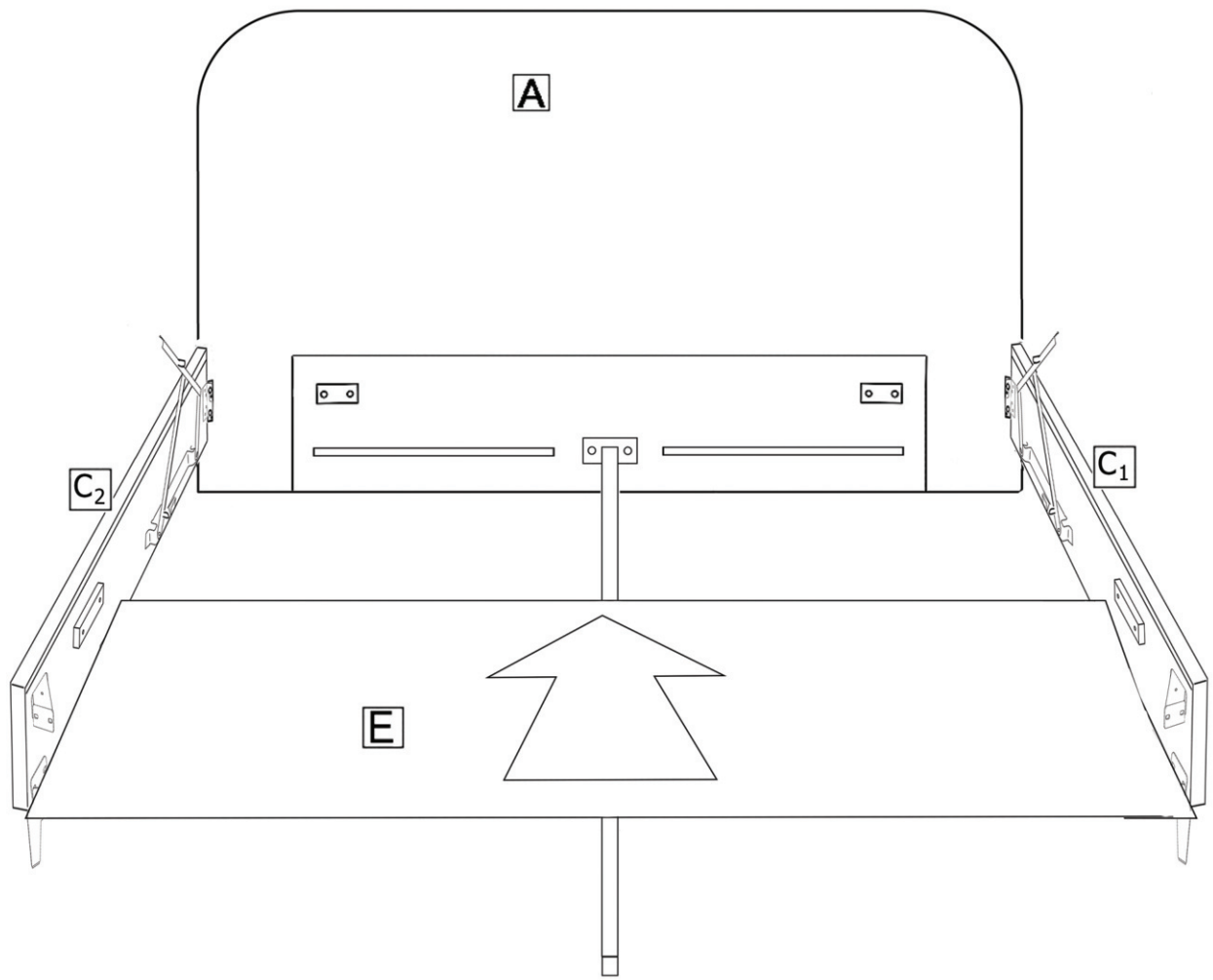
6



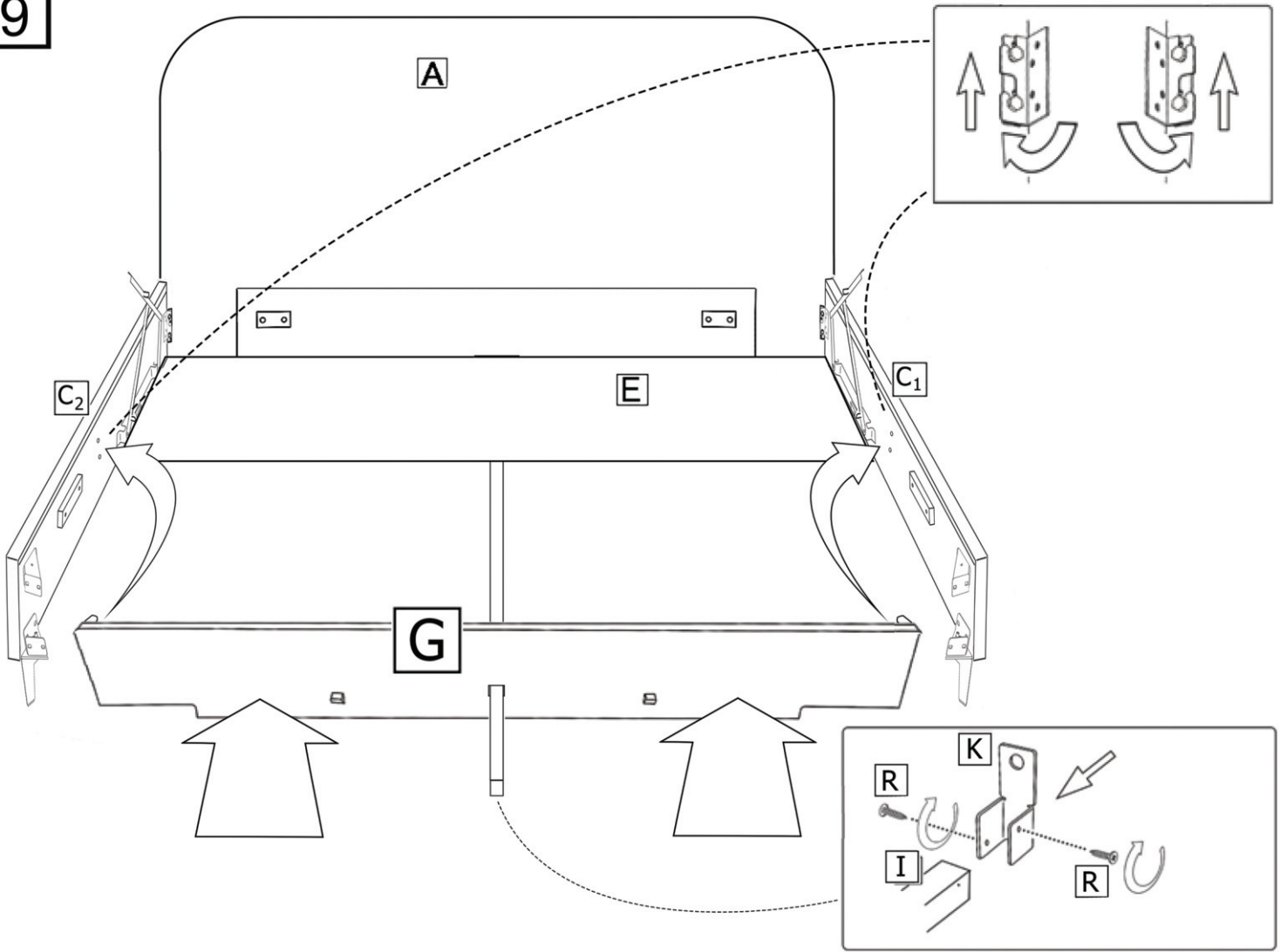
7



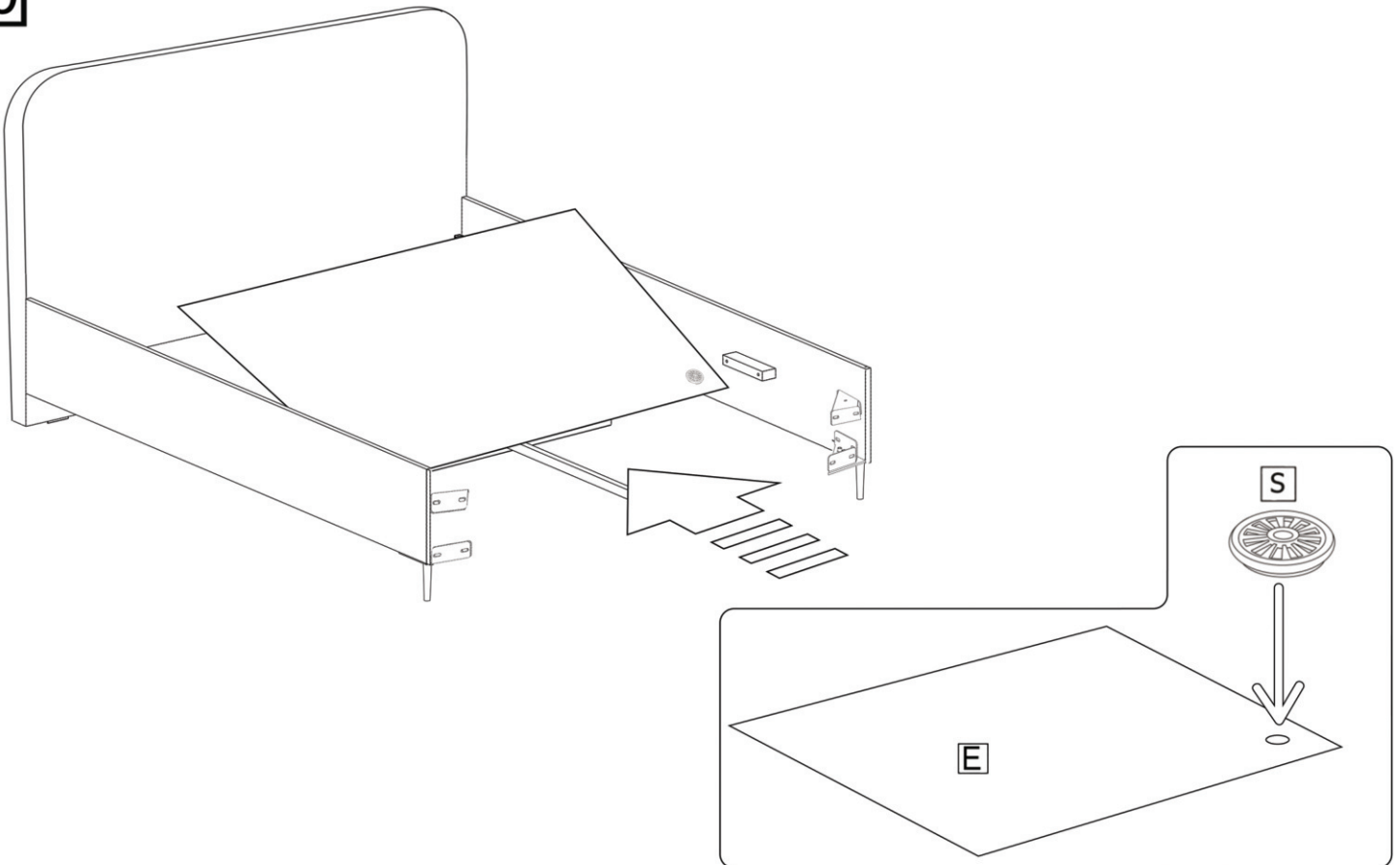
8



9



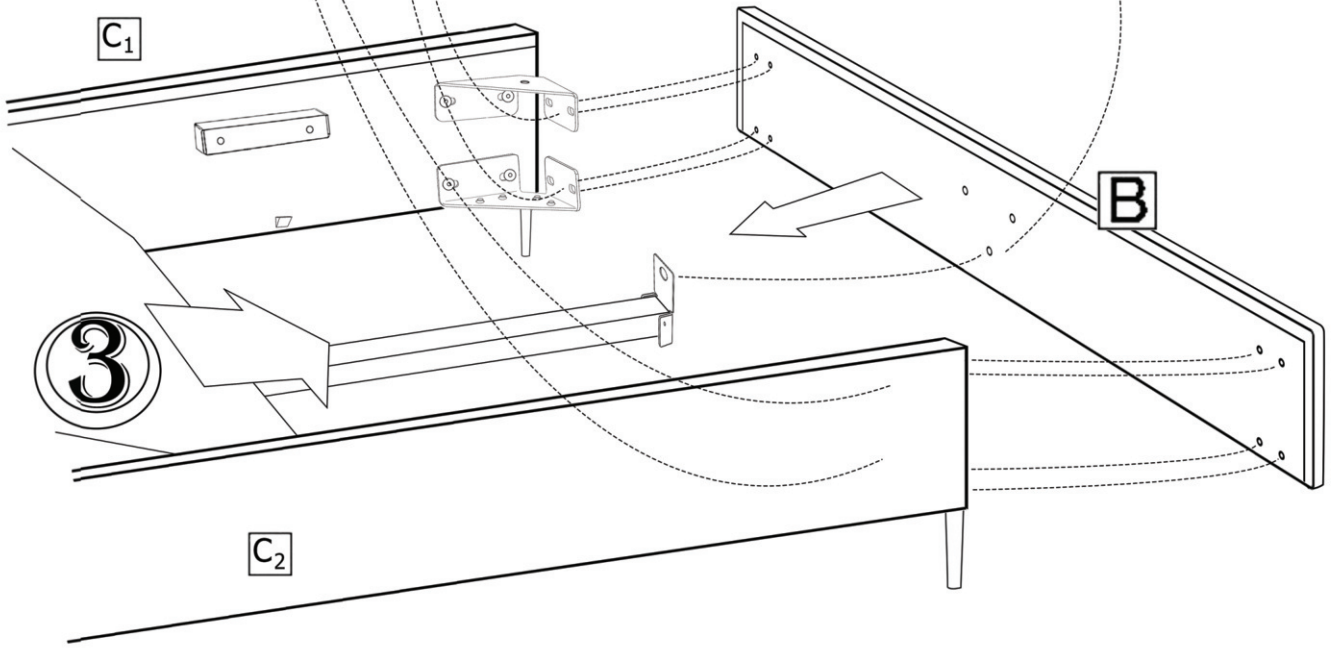
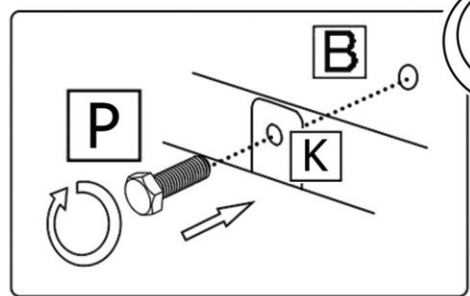
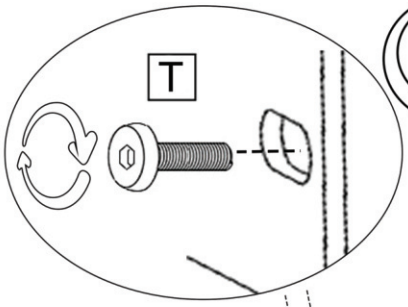
10



11

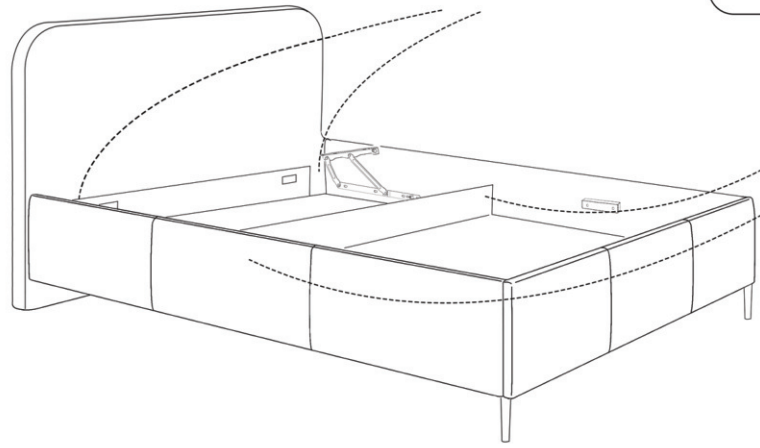
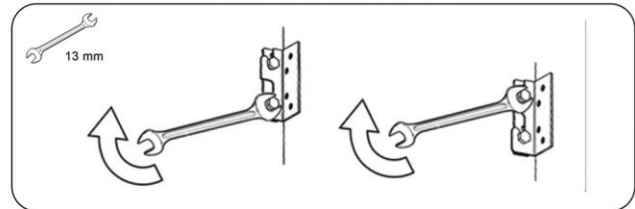
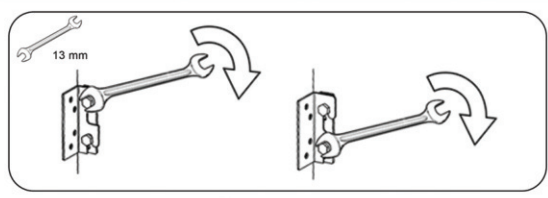
1

2



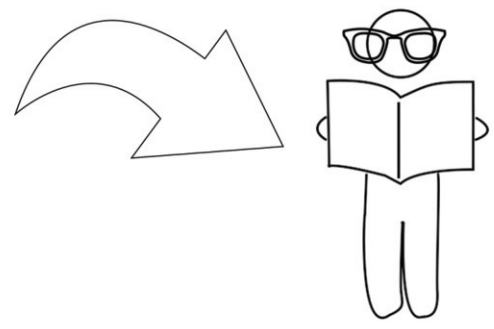
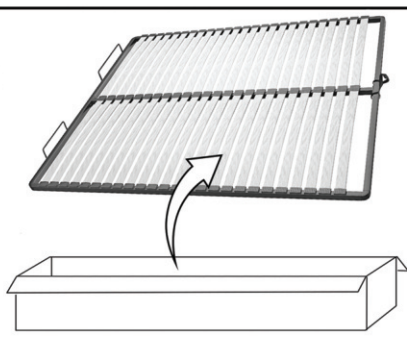
3

12

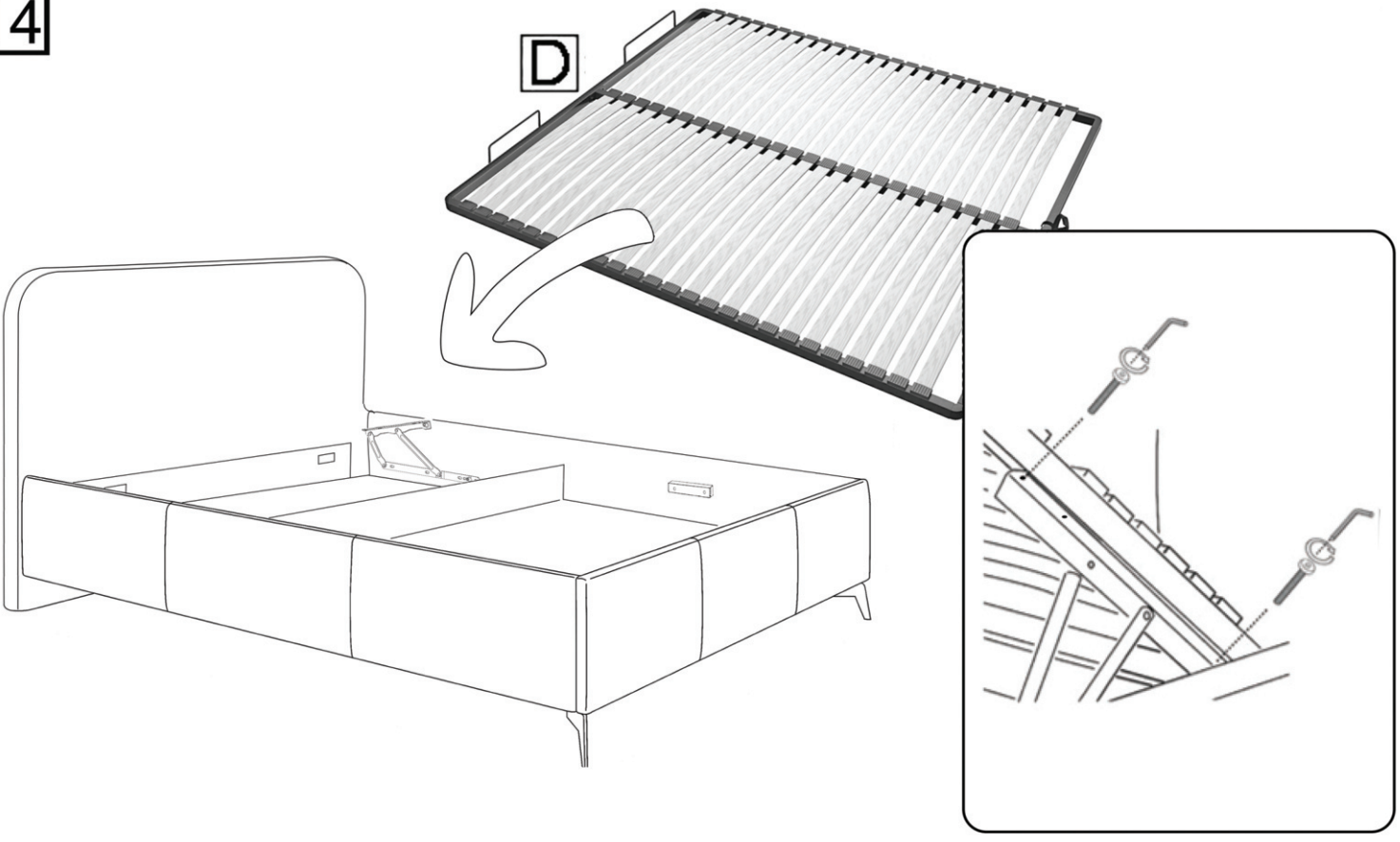


13

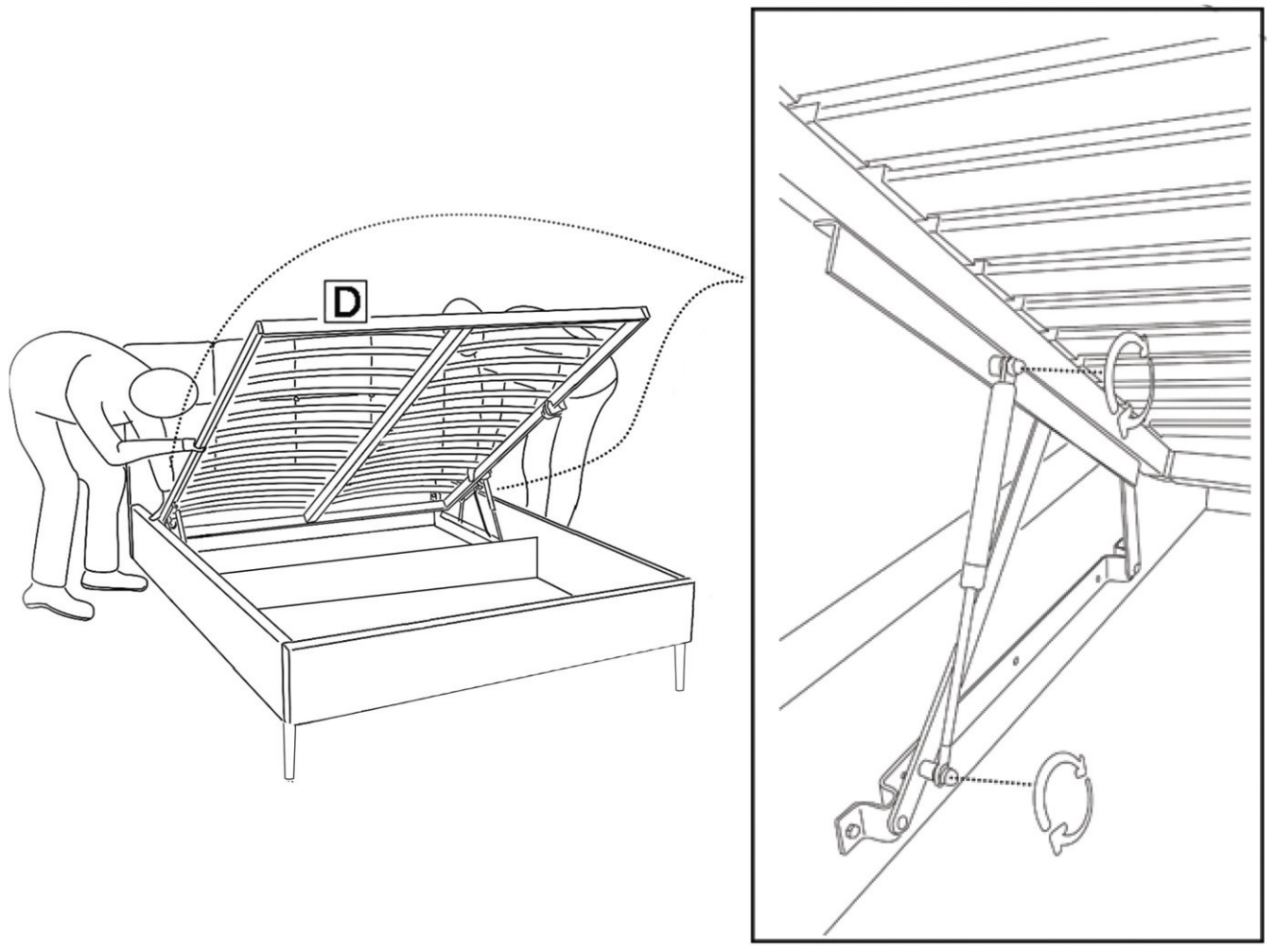
D



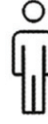
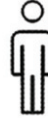
14



15





 +  = max 200kg

